

TECHNICAL DATA SHEET

VALSIR® WASTE SYSTEMS

**HDPE
VBF**



valsir®
QUALITY FOR PLUMBING



HDPE

VBF - VENTILATION BRANCH FITTING

Charateristics

Code: VS0316175

Raw material: HDPE

Vertical connection D.: 110 mm

Max. number of connections D. 110 mm: 3

Max. number of connections D. 75 mm: 3

Max temperature of waste water 80° C (continuous)
95° C (intermittent)

Standard achievable flow rate: 8.7 l/s (*)

(*) The achievable flow rate could be increased following verification with Valsir Technical Department.

DESCRIPTION:

The HDPE waste system is manufactured in Italy and certified by leading international bodies, in compliance with EN 1519-1, suitable for the drainage of fluids, and ISO TR 10358.

Valsir VBF is part of Valsir HDPE single stack system and it is made up of High Density Polyethylene.

Valsir HDPE range is Green Building certified and it is completely halogen free.

Valsir VBF fitting has 6 horizontal branch connections: 3 x DN 100 (OD 110 mm) upper connections for sanitary fixtures such as urinals, WCs, washbasins, bidets, showers, bathtubs, sinks or any other sanitary fixture and 3 x DN 70 (OD 75 mm) lower connections for any sanitary fixture.

Valsir VBF fitting can improve the ventilation performance of the waste and drainage system, increasing the flow rate is compared to other traditional solutions.

The standard achievable flow rate is 8.7 l/s.

Every Valsir VBF fitting can collect up to 25 DU, as per EN12056.

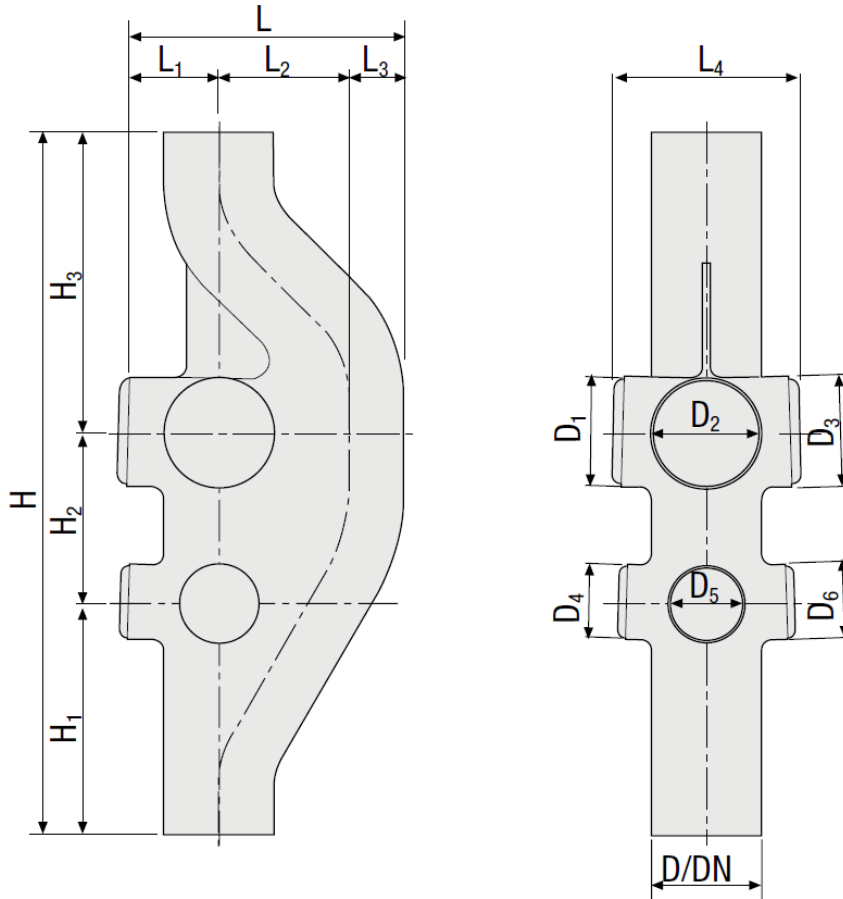




HDPE

VBF - VENTILATION BRANCH FITTING

Size:



COD.	D	DN	D ₁ /D ₂ /D ₃	D ₄ /D ₅ /D ₆	L	L ₁	L ₂	L ₃	L ₄	H	H ₁	H ₂	H ₃
VS0316175	110	100	110	75	275	90	130	55	188	700	230	170	300

Approvals:

The approvals of Valsir® waste systems are available on the website: www.valsir.com



HDPE

VBF - VENTILATION BRANCH FITTING

Charateristics

Code: VS0316179

Raw material: HDPE

Vertical connection D.: 160 mm

Max. number of connections D. 110 mm: 3

Max. number of connections D. 75 mm: 3

Max temperature of waste water 80° C (continuous)
95° C (intermittent)

Standard achievable flow rate: 18.1 l/s (*)

(*) The achievable flow rate could be increased following verification with Valsir Technical Department.

DESCRIPTION:

The HDPE waste system is manufactured in Italy and certified by leading international bodies, in compliance with EN 1519-1, suitable for the drainage of fluids, and ISO TR 10358.

Valsir VBF is part of Valsir HDPE single stack system and it is made up of High Density Polyethylene.

Valsir HDPE range is Green Building certified and it is completely halogen free.

Valsir VBF fitting has 6 horizontal branch connections: 3 x DN 100 (OD 110 mm) upper connections for sanitary fixtures such as urinals, WCs, washbasins, bidets, showers, bathtubs, sinks or any other sanitary fixture and 3 x DN 70 (OD 75 mm) lower connections for any sanitary fixture.

Valsir VBF fitting is able to improve the ventilation performance of the waste and drainage system, increasing the flow rate is compared to other traditional solutions.

The standard achievable flow rate is 18.1 l/s.

Every Valsir VBF fitting can collect up to 25 DU, as per EN12056.

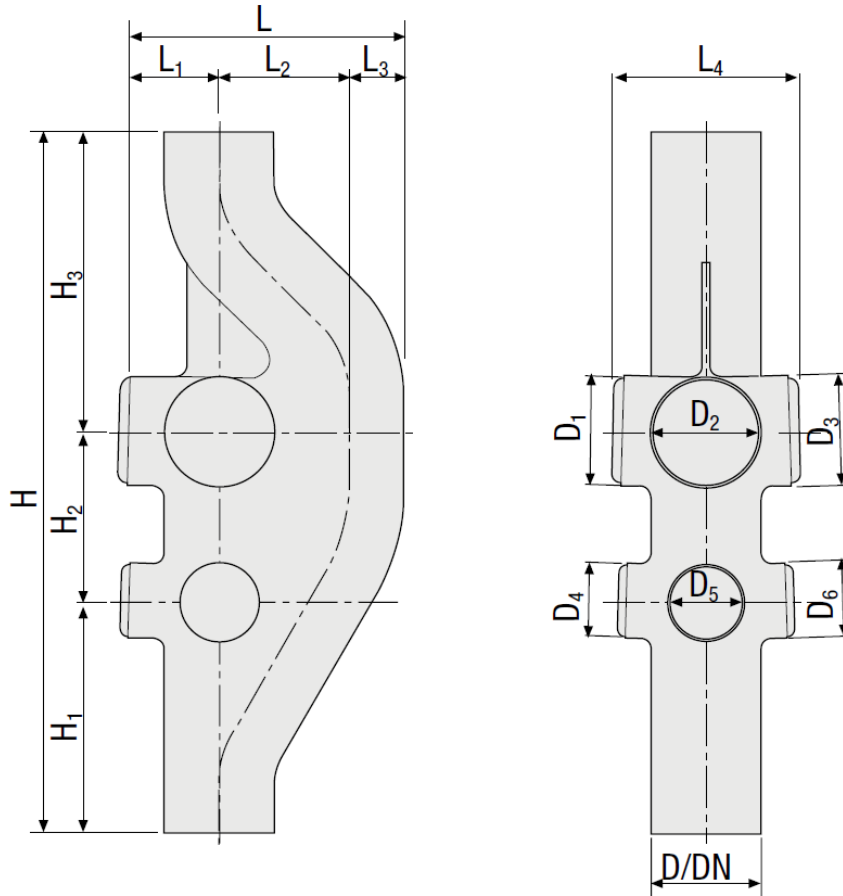




HDPE

VBF - VENTILATION BRANCH FITTING

Size:



COD.	D	DN	D ₁ /D ₂ /D ₃	D ₄ /D ₅ /D ₆	L	L ₁	L ₂	L ₃	L ₄	H	H ₁	H ₂	H ₃
VS0316179	160	150	110	75	310	90	160	60	190	1010	460	170	380

Approvals:

The approvals of Valsir® waste systems are available on the website: www.valsir.com

PLUMBING

WASTE SYSTEMS



SUPPLY SYSTEMS



GAS SYSTEMS



FLUSH SYSTEMS



BATHROOM SYSTEMS



TRAPS



RADIANT SYSTEMS



DRAINAGE SYSTEMS



HRV SYSTEM



ACADEMY



SEWER SYSTEMS



WATER TREATMENT



BUILDING

valsir[®]
QUALITY FOR PLUMBING

VALSIR S.p.A.
Località Merlaro, 2
25078 Vestone (BS) - Italy
Tel. +39 0365 877.011
Fax +39 0365 81.268
e-mail: valsir@valsir.it

www.valsir.com

Soggetta all'attività di direzione e coordinamento ex art. 2497 bis C.C. da parte di Silmar Group S.p.A. - Codice Fiscale 02075160172

TO2-202/1 - Novembre 2017